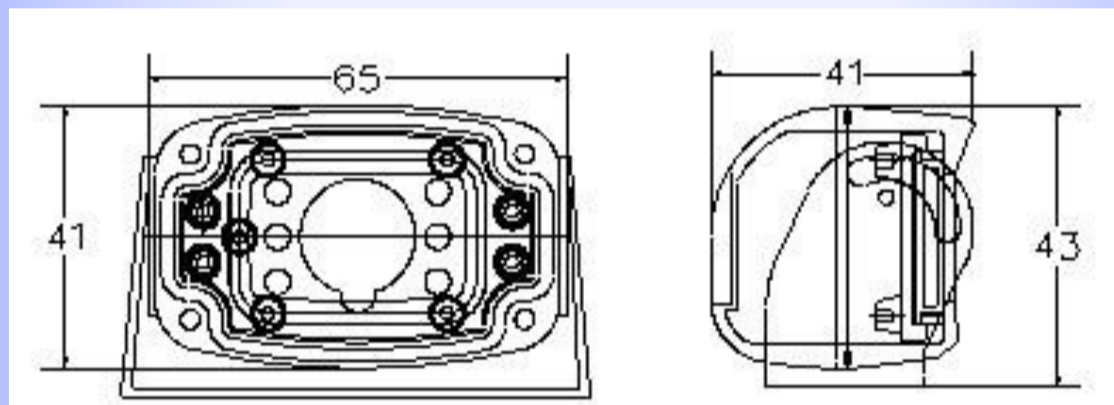


# PR-500C



2.5 in. (W) X 1.6 in. (H) X 1.6 in. (D)

|                                   |                                                          |
|-----------------------------------|----------------------------------------------------------|
| <b>MODEL</b>                      | <b>PR-500C</b>                                           |
| <b>Image Device</b>               | <b>1/3" Interline Transfer CCD</b>                       |
| <b>Total Number of Pixels</b>     | <b>542(H) ´ 492(V)</b>                                   |
| <b>Number of Effective Pixels</b> | <b>512(H) ´ 492(V)</b>                                   |
| <b>Video System (TV Mode)</b>     | <b>NTSC</b>                                              |
| <b>Resolution (Horizontal)</b>    | <b>320 TV Lines</b>                                      |
| <b>Video Output</b>               | <b>Composite Video Output ( 1Vp-p, 75Ω, Unbalanced )</b> |
| <b>Minimum Illumination</b>       | <b>0.1 LUX (F=2.0)</b>                                   |
| <b>Electronic Shutter</b>         | <b>1/60 ~ 1/10,000 sec 1/50 ~ 1/10,000 sec</b>           |
| <b>Supply Voltage</b>             | <b>DC +12V(±10 %)</b>                                    |
| <b>Power Consumption</b>          | <b>150 mA(Max)</b>                                       |
| <b>Operating Temperature</b>      | <b>-30°C to ~ 60°C / 22°F to ~ +140°F</b>                |
| <b>Storage Temperature</b>        | <b>- 40 ~ 75 °</b>                                       |
| <b>Dimensions</b>                 | <b>65mm (W) X 41mm (H) X 41mm (D)</b>                    |
| <b>Dimensions</b>                 | <b>2.5 in. (W) X 1.6 in. (H) X 1.6 in. (D)</b>           |
| <b>Weight (Approx)</b>            | <b>0.2kg Including bracket</b>                           |
| <b>Cable</b>                      | <b>10 meters, waterproof</b>                             |

**Provix Cameras and Digital Recording Systems  
are available from your local dealer or  
online at  
[www.provix.net](http://www.provix.net)**